

SST-37/40-EIH

Insulated Articulated/Telescopic Aerial Lift

WORKING HEIGHT: Up to 45 ft (13.7 m)

HORIZONTAL REACH: 27 ft 9 in (8.5 m)

PLATFORM CAPACITY: Up to 450 lbs (204 kg)

**FULL
PRESSURE**

Hydraulic
Controls

TruGuard®
Standard



SST-37-EIH model shown here.

VERSALIFT

VERSALIFT is a leading global manufacturer of bucket trucks, digger derricks, cable placers and other specialty equipment for use in the power generation, transmission and distribution, investor-owned utility, telecommunications, bridge inspection, light and sign, and forestry industries. Providing equipment sales, service, training, warranty and financing to government agencies, corporations, contractors, co-ops and municipalities through its global network of facilities and distributors, the company employs more than 900 employees worldwide.

SST-37/40-EIH

Insulated Articulated/Telescopic Aerial Lift



GENERAL SPECIFICATIONS:

(Based on 40" Frame)

Horizontal Reach	27 ft 9 in (8.5 m)
Standard Platform Capacity	300 lbs (136 kg)
Maximum Platform Capacity	450 lbs (204 kg)

WITH STANDARD PEDESTAL:

Height to Bottom of Platform	
SST-37-EIH	37 ft (11.3 m)
SST-40-EIH	40 ft (12.2 m)
Working Height	
SST-37-EIH	42 ft (12.8 m)
SST-40-EIH	45 ft (13.7 m)
Stowed Travel Height	10 ft 4 in (3.15 m)

INSULATION GAP:

Upper Boom Fully Retracted	42 in (1.07 m)
Lower Boom Insert (optional)	12 in (0.3 m)
Upper Boom Fully Retracted w/o Electroguard	10 in (.25 m)

HYDRAULIC SYSTEM:

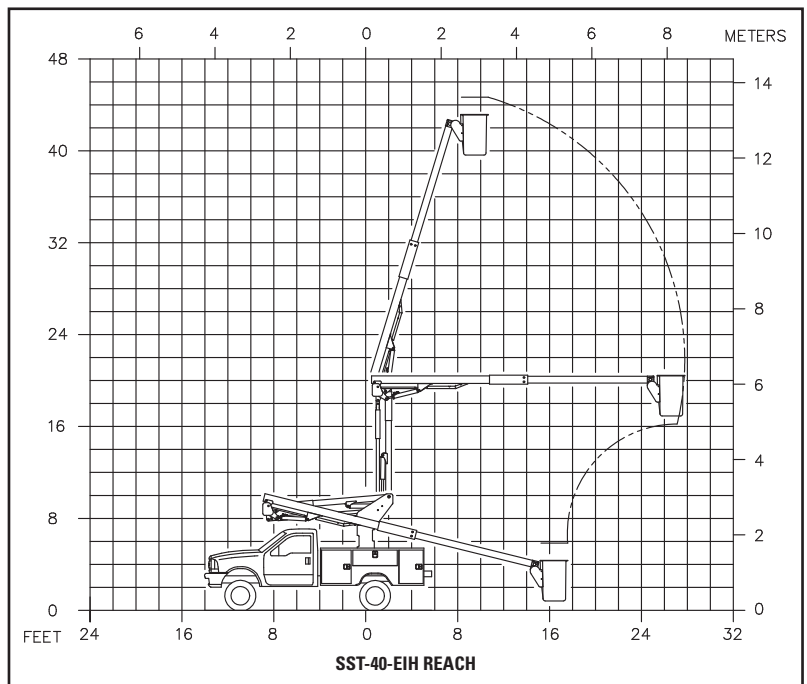
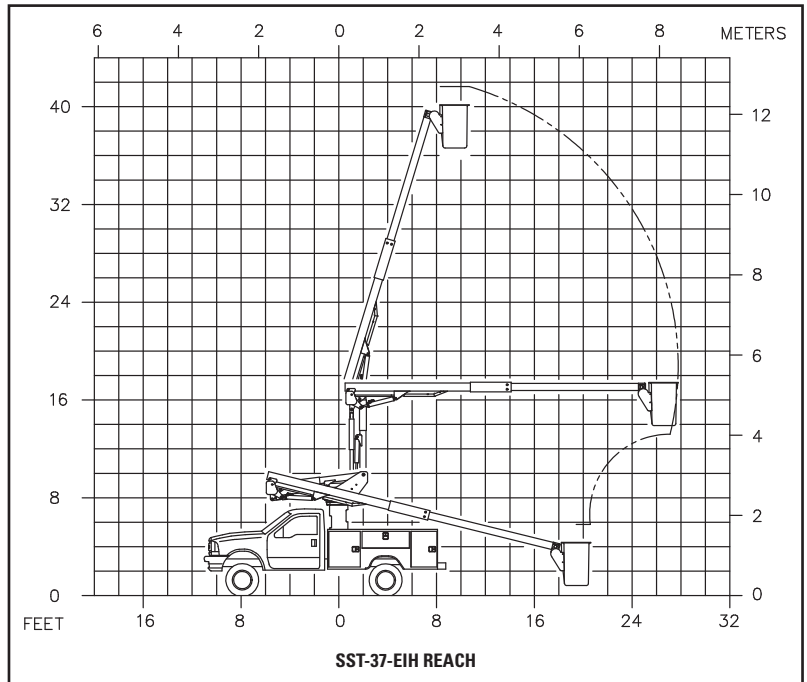
Operating Pressure	2250 psi (155 bar)
Flow Rate	3 gpm (11 lpm)
Filtration	10 micron return 100 mesh suction
System Type	Open Center

BOOM ACTION:

Inner Boom Extension	116 in (2.9 m)
Outer Boom	-14° to +74°
Lower Boom	
SST-37-EIH	-7° to Vertical
SST-40-EIH	-5° to Vertical
Rotation	370° Non-Continuous

OPTIONS:

- 4-Axis Controller
- Backup 12-Volt Pump
- Automatic Boom Latch
- Lift Eye (500 lb max)
- Continuous Rotation
- Independent Outriggers
- Two-Speed Engine Throttle Control
- 180° Rotating Platform
- Rear Torsion Bars
- Hydraulic Tool Circuit at the Platform



Note: Specifications on units may vary or change without prior notifications due to option selections.