

TEL-29-N/NE

Telescopic Aerial Device

WORKING HEIGHT: Up to 34 ft 9 in (10.6 m)

HORIZONTAL REACH: Up to 22 ft 7 in (6.88 m)

PLATFORM CAPACITY: Up to 400 lb (181 kg)

ALUMINUM

Inner Boom

**LIGHT
WEIGHT**

Pedestal



TEL-29-NE model shown here.

VERSALIFT

VERSALIFT is a leading global manufacturer of bucket trucks, digger derricks, cable placers and other specialty equipment for use in the power generation, transmission and distribution, investor-owned utility, telecommunications, bridge inspection, light and sign, and forestry industries. Providing equipment sales, service, training, warranty and financing to government agencies, corporations, contractors, co-ops and municipalities through its global network of facilities and distributors, the company employs more than 900 employees worldwide.

TEL-29-N/NE

Telescopic Aerial Device



GENERAL SPECIFICATIONS:

(Based on 40 in Frame)

Horizontal Reach

TEL-29-N	20 ft 8 in (6.30 m)
TEL-29-NE	22 ft 7 in (6.88 m)

Maximum Rated Platform Capacity

TEL-29-N	350 lbs (160 kg)
TEL-29-NE	400 lbs (181 kg)

Outer Boom Articulation -14° to +74°

Inner Boom Extension 116 in (2.95 m)

WITH STANDARD PEDESTAL:

Height to Bottom of Platform

TEL-29-N	28 ft 11 in (8.81 m)
TEL-29-NE	29 ft 9 in (9.07 m)

Working Height

TEL-29-N	33 ft 11 in (10.34 m)
TEL-29-NE	34 ft 9 in (10.6 m)

Stowed Travel Height

9 ft 9 in (2.97 m)

HYDRAULIC SYSTEM:

Operating Pressure 2250 psi (155 bar)

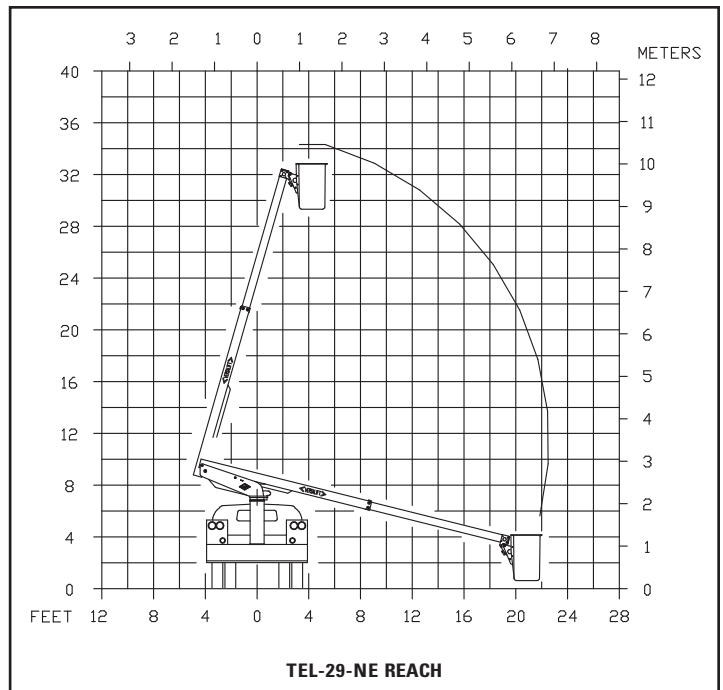
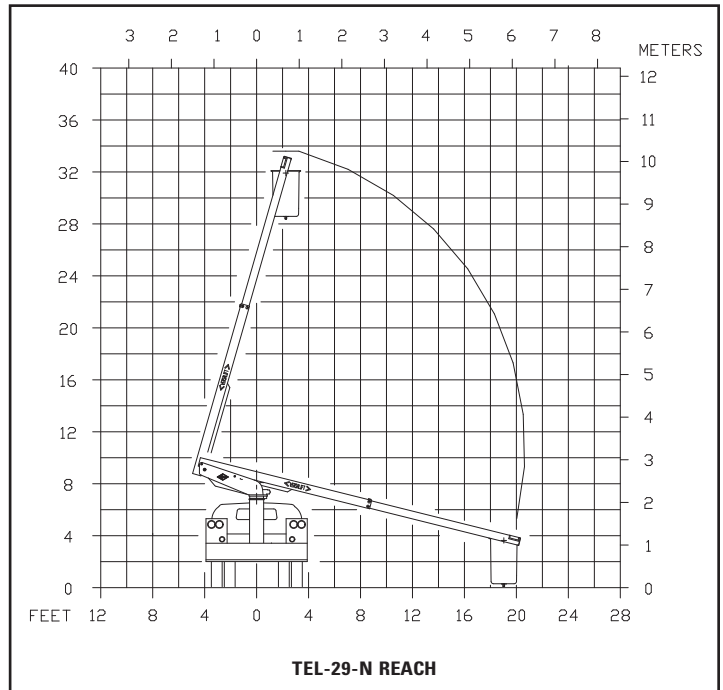
Flow Rate 2 gpm (8 lpm)

Filtration 10 micron pressure
10 micron return
100 mesh suction

System Type Open Center

OPTIONS:

- Backup 12-Volt Pump
- Continuous Rotation
- Hydraulic Leveling
- Taller Pedestal
- Engine Throttle Control
- Various Platforms and Covers
- 120-Volt Hour Meter
- Extra Control Circuit from the Platform
- 180 Degree Platform Positioner (-NE only)
- Bridge Mount Pedestal
- Emergency Lowering
- Remote Lower Control
- Torsion Bar



Note: Specifications on units may vary or change without prior notifications due to option selections.