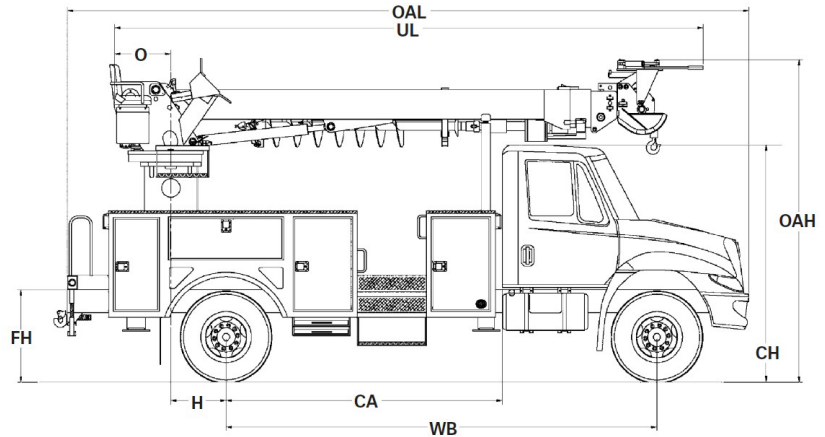


DIGGER DERRICK

Terex® Telelect Digger Derricks are known throughout the industry. They come with a long history featuring quality and innovative design.

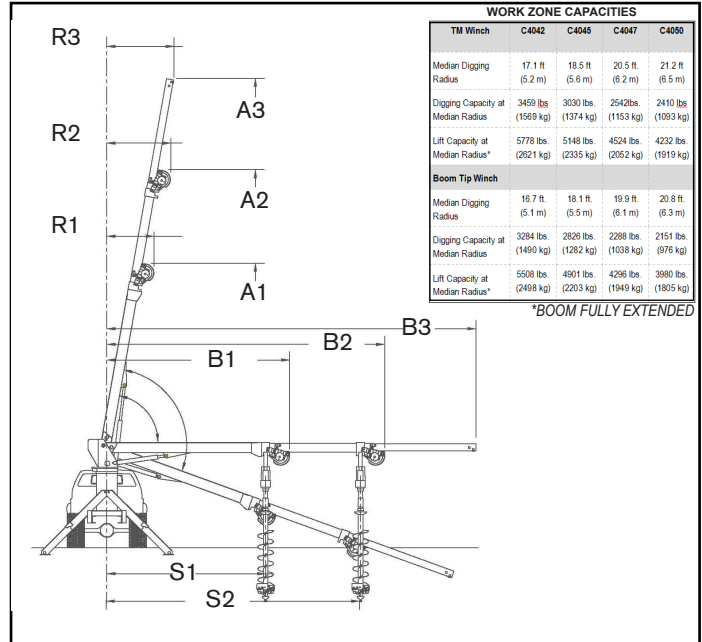


Measurements	Commander 4042	Commander 4045	Commander 4047	Commander 4050
<i>(Minimum Recommendations)</i>	ORA / BC / CMT	ORA / BC / CMT	ORA / BC / CMT	ORA / BC / CMT
Typical Frame Height (FH)	40 in. (101.6 cm)	40 in. (101.6 cm)	40 in. (101.6 cm)	40 in. (101.6 cm)
Typical Cab Height (CH)	103 in. (261.6 cm)	103 in. (261.6 cm)	103 in. (261.6 cm)	103 in. (261.6 cm)
Offset (O)	24.5 in. (62.2 cm)	24.5 in. (62.2 cm)	24.5 in. (62.2 cm)	24.5 in. (62.2 cm)
Overall Height (OAH)	11' 2" 11' 8" 11' 2" (3.4 m) (3.6 m) (3.4 m)	11' 2" 11' 8" 11' 2" (3.4 m) (3.6 m) (3.4 m)	11' 2" 11' 8" 11' 2" (3.4 m) (3.6 m) (3.4 m)	11' 2" 11' 8" 11' 2" (3.4 m) (3.6 m) (3.4 m)
Overall Length (OAL)	22' 6.5" 29' 1" 23' 1" (6.9 m) (8.9 m) (7.0 m)	23' 11" 30' 1" 23' 7" (7.3 m) (9.2 m) (7.2 m)	25' 6.5" 32' 1" 24' 7" (6.9 m) (9.8 m) (7.5 m)	25' 6.5" 32' 1" 24' 7" (6.9 m) (9.8 m) (7.5 m)
Unit Length (UL)	20' 4" (6.2 m)	21' 4" (6.5 m)	23' 4" (7.1 m)	23' 4" (7.1 m)
Center of Rotation (H)	24" 85.5" 44" (61 cm) (217.2 cm) (111.8 cm)	24" 97.5" 44" (61 cm) (247.2 cm) (111.8 cm)	24" 115.5" 44" (61 cm) (293.4 cm) (111.8 cm)	24" 115.5" 44" (61 cm) (293.4 cm) (111.8 cm)
Cab to Axle (CA)	102" 108" 102" (259.1 cm) (274.3 cm) (259.1 cm)	102" 108" 102" (259.1 cm) (274.3 cm) (259.1 cm)	120" 138" 102" (304.8 cm) (350 cm) (259 cm)	120" 138" 102" (304.8 cm) (350 cm) (259 cm)
Wheel Base (WB)	174" 180" 174" (442 cm) (533.4 cm) (442 cm)	180" 192" 180" (457.2 cm) (487.7 cm) (457.2 cm)	192" 210" 192" (487.7 cm) (533.4 cm) (487.7 cm)	192" 210" 192" (487.7 cm) (533.4 cm) (487.7 cm)
Front Axle (FA)	9,000 lb. (4,082 kg)	12,000 lb. (5,443 kg)	12,000 lb. (5,443 kg)	12,000 lb. (5,443 kg)
Rear Axle (RA)	19,000 lb. (8,618 kg)	19,000 lb. (8,618 kg)	19,000 lb. (8,618 kg)	19,000 lb. (8,618 kg)
Gross Vehicle Weight Rating (GVWR)	28,000 lb. (12,701 kg)	31,000 lb. (14,061 kg)	31,000 lb. (14,061 kg)	31,000 lb. (14,061 kg)
Recommended Weight for Stability	25,000 lb. (11,340 kg)	25,000 lb. (11,340 kg)	25,500 lb. (11,567 kg)	25,500 lb. (11,567 kg)
Frame Section Modulus	18.0 in ³	18.0 in ³	18.0 in ³	18.0 in ³
Frame Yield Strength	50,000 psi	50,000 psi	50,000 psi	50,000 psi
Frame RBM	900,000 in-lbs	900,000 in-lbs	900,000 in-lbs	900,000 in-lbs

COMMANDER 4000 SERIES

STANDARD EQUIPMENT

- 100 Degrees of Boom Travel (+80 to -20)
- Dual Lift Cylinders
- Self-Aligning Swivel Ball Bushings
- Rectangular, Bi-Axial Epoxy Resin, Filament Wound Fiberglass Booms
- Box Fabricated Steel Lower Boom and Intermediate
- Hydraulic Boom Extension Intermediate & Upper
- Full Pressure Hydraulic Controls
- Full Pressure, Open-Center Hydraulic System
- 50 Gallon Hydraulic Oil Reservoir
- Custom Made Zoned Load Chart
- Transferable Pole Flanges
- Regular Pole Guide with Interlock
- Continuous Unrestricted Rotation
- 15,000 lb. Turntable Winch
- Meets or Exceeds ANSI A10.31
- Load-Sensing Worm Gear Rotation
- Right-Hand Command Post Controls
- Engine Stop/Start at Lower Controls
- LED Light at Lower Controls
- Hydraulic Foot Throttle with Remote Sensor
- Load Moment Limiter (HOP)
- Boom Angle Indicator
- Outrigger Interlock
- Moving Outrigger Alarm
- Truck Level Indicator



CAPACITIES & DIMENSIONAL DATA (Based on a 40 inch Frame Height)

Model	Maximum Capacity	Capacity @ 10 ft. Radius	Sheave Height			Load Radius			Horizontal Reach			Digging Radius	
			A1	A2	A3	R1	R2	R3	B1	B2	B3	S1	S2
CMDR 4042 TM Winch	29,250 lb (13,881kg)	11,800 lb (5,323 kg)	26.8 ft (8.2 m)	34.6 ft (10.5 m)	42.5 ft (13.0 m)	3.0 ft (1.0 m)	4.4 ft (1.3 m)	5.8 ft (1.8 m)	16.5 ft (5.8 m)	24.5 ft (7.5 m)	32.5 ft (9.9 m)	14.0 ft (4.3 m)	22.0 ft (6.7 m)
Boom Tip PG Winch	23,350 lb (10,592 kg)	11,250 lb (5,103 kg)	25.8 ft (7.9 m)	33.7 ft (10.3 m)	41.9 ft (12.8 m)	3.4 ft (1.0 m)	4.8 ft (1.5 m)	5.6 ft (1.7 m)	15.6 ft (4.8 m)	23.6 ft (7.2 m)	31.8 ft (9.7 m)	14.0 ft (4.3 m)	22.0 ft (6.7 m)
CMDR 4045 TM Winch	27,500 lb (12,474 kg)	11,500 lb (5,216 kg)	27.7 ft (8.4 m)	36.6 ft (11.2 m)	45.5 ft (13.9 m)	3.1 ft (0.9 m)	4.7 ft (1.4 m)	6.3 ft (1.9 m)	17.5 ft (5.3 m)	26.5 ft (8.1 m)	35.5 ft (10.8 m)	15.0 ft (4.6 m)	24.0 ft (7.3 m)
Boom Tip PG Winch	22,250 lb (10,093 kg)	10,900 lb (4,944 kg)	26.8 ft (8.2 m)	35.7 ft (10.9 m)	44.8 ft (13.7 m)	3.6 ft (1.9 m)	5.2 ft (1.6 m)	6.1 ft (1.9 m)	16.6 ft (5.1 m)	25.6 ft (7.8 m)	34.8 ft (10.6 m)	15.0 ft (4.6 m)	24.0 ft (7.3 m)
CMDR 4047 TM Winch	24,750 lb (11,227kg)	11,000 lb (4,990 kg)	29.7 ft (9.1 m)	38.6 ft (11.8 m)	47.4 ft (14.4 m)	3.5 ft (1.1 m)	5.1 ft (1.6 m)	6.7 ft (2.0 m)	19.5 ft (5.9 m)	28.5 ft (8.7 m)	37.5 ft (11.4 m)	17.0 ft (5.2 m)	26.0 ft (7.9 m)
Boom Tip PG Winch	20,350 lb (9,231 kg)	10,400 lb (4,717 kg)	28.8 ft (8.8 m)	37.6 ft (11.5 m)	46.8 ft (14.3 m)	4.0 ft (1.2 m)	5.5 ft (1.7 m)	6.5 ft (2.0 m)	18.6 ft (5.7 m)	27.6 ft (8.4 m)	36.8 ft (11.2 m)	17.0 ft (5.2 m)	26.0 ft (7.9 m)
CMDR 4050 TM Winch	24,600 lb (11,159 kg)	11,000 lb (4,990 kg)	29.7 ft (9.1 m)	40.0 ft (12.2 m)	50.4 ft (15.4 m)	3.5 ft (2.2 m)	5.3 ft (1.6 m)	7.2 ft (2.2 m)	19.5 ft (5.9 m)	30.0 ft (9.1 m)	40.5 ft (12.3 m)	17.0 ft (5.2 m)	27.5 ft (8.4 m)
Boom Tip PG Winch	20,350 lb (9,231 kg)	10,410 lb (4,722 kg)	28.8 ft (8.8 m)	39.1 ft (11.9 m)	49.7 ft (15.1 m)	4.0 ft (1.2 m)	5.8 ft (1.8 m)	7.0 ft (2.1 m)	18.6 ft (5.7 m)	29.1 ft (8.9 m)	39.8 ft (12.1 m)	17.0 ft (5.2 m)	27.5 ft (8.4 m)

OPTIONAL EQUIPMENT

- Various Digger / Augers
 - Auger Storage Left Side (Typical)
 - Auger Storage Right Side (Subject to Configuration-EQR)
- Fiberglass Personnel Platform
 - Liners with or Without Steps
 - Engine Stop/Start and Throttle Advance at Top Controls
 - Full Pressure Top Controls
- Various Types of Controls
 - Radio Remote Controls
 - Single Stick "T" Controls
 - Flex Pro Control System
- Various Types of Throttle Advance at Lower Controls
- Boom Tip Winch
- Material Handling Jibs
- Large Pole Guide
- Planetary Slip Brake Rotation
- Hydraulic Tool Outlets
- Pole Puller
- Multi-Part Line Components
- Corner Mount Derricks
- Boom Storage Warning Light
- Outrigger Sag Light
- Various Types of Outriggers
- Truck Grounding Cable & Clamp
- Wireless Anti-Two Block
- Digger Derrick Load Display
- Audible Overload Alarm