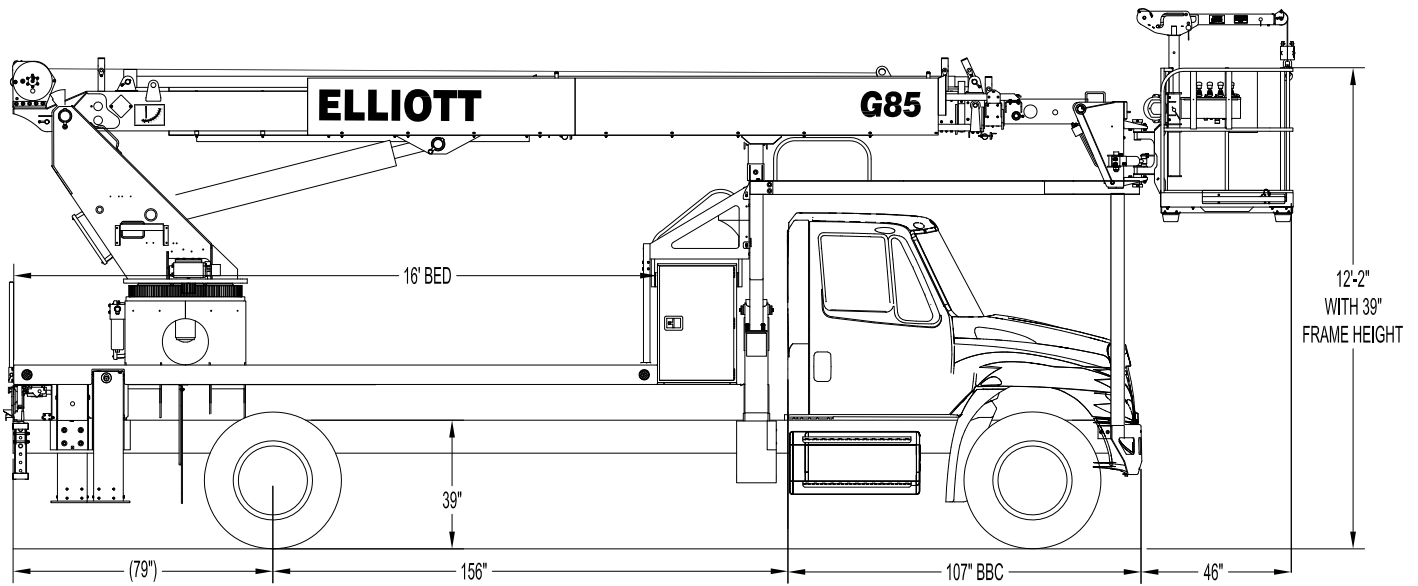




G85R SIDE VIEW DIAGRAM



- | | | | |
|--|--------------------------|---|-----------------------|
| • Working Height | 87' / 26,5 m | • Powered Boom Sections | 4 |
| • Working Side Reach | 61' / 18,6 m | • Overall Height | 12'2" / 3,7m |
| • Platform Capacity | 500 lbs / 227 kg | • Unit Weight (Bare) | 18,000 lbs / 8,165 kg |
| • Platform Size | 40" x 60" / 102 x 152 cm | • Outrigger Spread Main | 18' / 5,5m |
| • Platform Type | EZR Removable | • Outrigger Spread Auxiliary | 12'6" / 3,8m |
| • Lifting Capacity (Main Winch) | 5,900 lbs / 2676 kg | • Front Gross Axle Weight Rating | 13,000 lbs / 5896 kg |
| • Jib Winch | 500 lbs / 227 kg | • Rear Gross Axle Weight Rating | 20,000 lbs/9072 kg |

TECHNICAL SPECIFICATIONS

Maximum Platform Height: 80' ground to platform floor.

Working Range: 87' max. working height and 61' max. side reach.

Work Platform: 40" x 60" EZR end-hung work platform with 40" high rails. Equipped with two safety lanyard attachment loops and two safety harnesses and 72" lanyards. Platform capacity 500 lbs.

Platform Leveling System: Hydraulic "closed" system consisting of twin platform cylinders interacting with a boom-actuated master cylinder mounted in boom support turret. System provided with factory-set relief valves to compensate for oil expansion or overload during platform leveling operation. Remote releveling controls provided in platform and at ground controls to give precise releveling capability.

Platform Controls: Three individual proportional electronic controllers meter pilot-operated, pressure-compensated modulating valves. Remote controls for boom operations from platform operate from a removable remote control box. Hi/Lo range, start/stop and engine speed toggle controls are also located at platform. Electric remote control cable extends through the electrical slip ring to cable carrier on side of boom to extending boom sections.

Lower Controls: Mounted on roadside of turret.

Outrigger Controls: Parallel open-center stack valve for lever-operated control of right and left outriggers. The outrigger valves are mounted at the rear, under each corner of the bed with roadside valve controlling roadside outriggers and curbside valve controlling curbside outriggers.

Outriggers: "A" type auxiliary outriggers with 12'6" spread. "MH" type out and down main outriggers with 18'

spread.

Frame: One piece, all welded, box-type fabrication with integral outrigger mounts.

Turret: Reverse offset turret is one-piece weldment mounted on turret box. Turret rotates on large diameter ball bearing.

Rotation: Continuous turret rotation with no stops. Hydraulic motor drives turret through self-locking gear box.

Boom: Steel rectangular tube sections. Assembly includes heavy-duty cylinder fittings, pivot pins, and replaceable wear pads.

Boom Extension: Two opposing "piggyback" extension cylinders and one overslung cylinder extend the boom sections.

Lift: One single-acting full displacement, long stroke cylinder, provides smooth and stable boom elevation. Holding valve prevents boom from falling in event of hose failure.

Cylinders: All cylinders use microhoned cylinder tubing, chrome shafts, top grade packing and protective rod wipers. Cylinder-mounted holding valves provided on all load-holding cylinders.

Hoses: All high pressure hoses are wire braid reinforced with a minimum safety factor of 4 to 1.

Oil Tank Capacity: 35 gallon mounted to truck frame on roadside.

Hydraulic System: Operating pressure is 2,500 PSI. System is parallel open center type and is equipped with liquid-filled pressure gauge. Oil is supplied to upper cylinders through hydraulic union in center of turret to cable carrier along side of the boom.

Pump: Gear type, direct mount to truck PTO.

PTO: Heavy-duty, high-speed. Cable engaged from cab.

Cab Equipment: PTO cable or switch with indicator lights installed in truck cab. Engine speed control and start/stop installed with control switches in platform remote control box and also located at lower controls. U/L approved 5:BC dry chemical fire extinguisher installed in truck cab.

Operators Manual & Video: Two CDs and one printed copy of operation, maintenance, safety and parts manual provided with each unit. Operational and safety video provided at delivery.

Installation: Unit installed on truck, painted, system and tank filled with oil, tested, inspected, and ready to operate.

Standard Paint: Paint boom and turret red, outriggers red, and bed and boxes black. Top of steel bed painted with black nonskid surface.

Bumper: Bureau of Motor Carrier Safety rear bumper.

Weight: Approximately 19,800 lbs. with 18' steel-floor bed less truck.

Truck Chassis Required: Approx. 156" C.A. RBM 1,600,000 in-lb. per rail, 13,000 lb. front axle and 33,000 lb. GVWR required. Trucks must have increased cooling, heavy-duty front and rear springs, 12V electrical system with high capacity alternator, cab clearance stop/tail/backup lights, and I.D. lamps. Recommended GVWR is minimum for HI-REACH with flatbed only. Contact factory when additional equipment is to be added.

Options:

5,900 lb or 2,000 lb Capacity Boom Winch.

500 lb Capacity Platform Material Handling Jib.

Welder, Air, and 110V Lines to Platform.

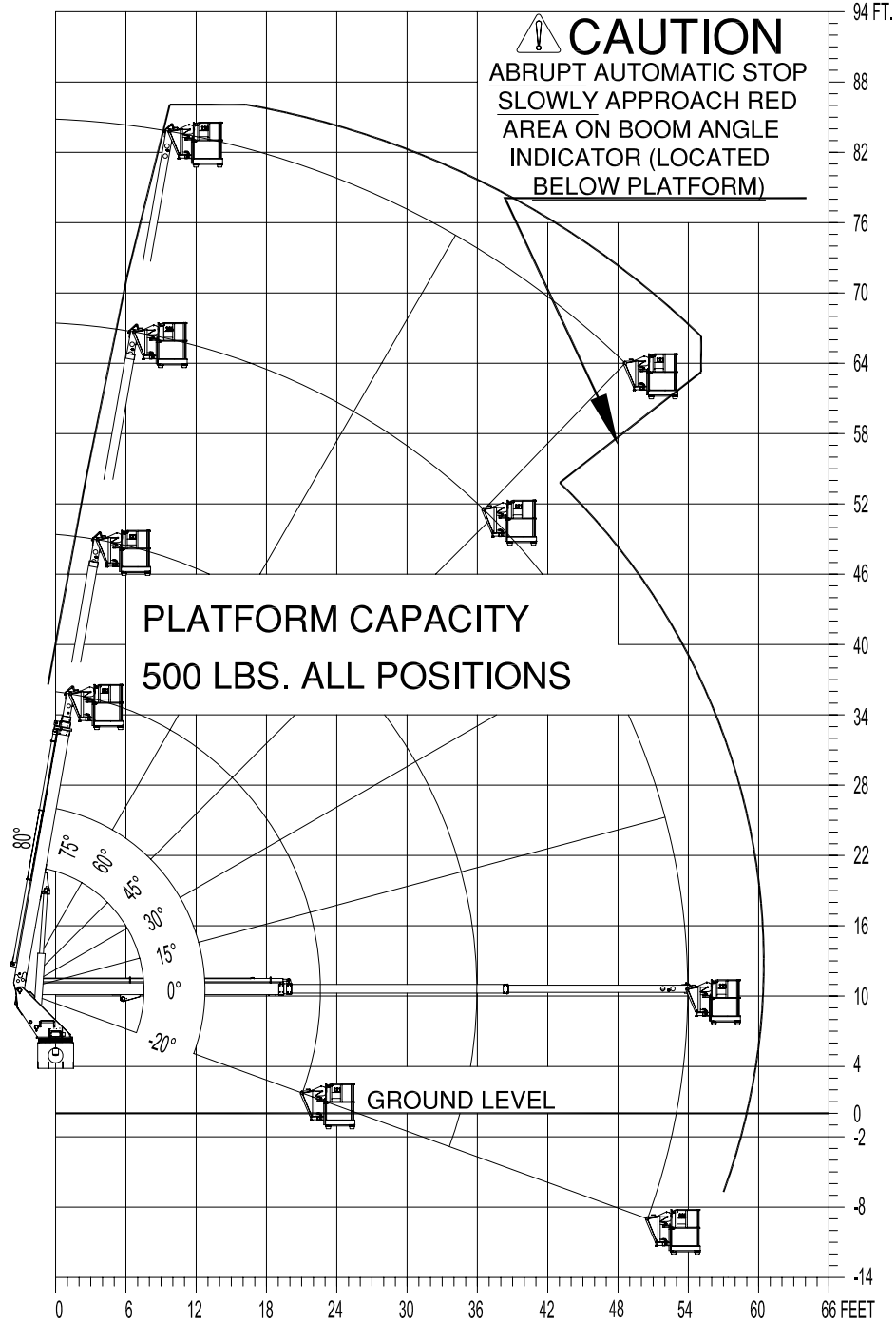
Cab Guard With Platform Access.

Much more....

Elliott Equipment Company reserves the right to change the specification of any unit at any time without prior notice. This brochure is only a statement of general specifications on the date of this publication. For more detailed info on specific Elliott trucks go to www.elliottequip.com

MAXIMUM RANGE CAPABILITIES

**PLATFORM WORKING RANGE
MODEL G85**

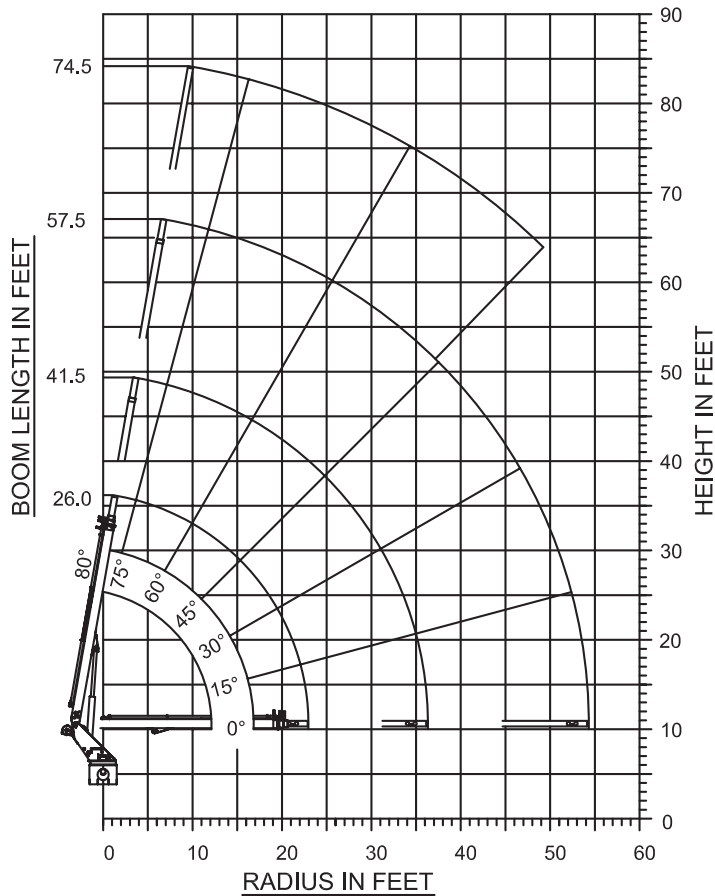


MAXIMUM LIFTING CAPABILITIES

ELLIOTT
EQUIPMENT COMPANY
MODEL G85

**MAXIMUM WORKING LOADS
MATERIAL HANDLING OPERATION**

WINCH LINE LOAD (POUNDS) ON BOOM
SHEAVE WITH PLATFORM REMOVED.



RADIUS (FT.)	26.0' BOOM LENGTH		41.5' BOOM LENGTH	
	ANGLE (DEG.)	LOAD (LBS.)	ANGLE (DEG.)	LOAD (LBS.)
3	80	5,900		
5	75	5,900	80	3,800
8	67	4,600	75	3,800
11	60	3,400	71	3,300
16	45	3,200	63	2,300
19	34	2,800	60	2,000
20	30	2,700	57	1,900
23	15	2,500	52	1,900
24	0	2,400	50	1,800
27			45	1,800
34			30	1,600
38			15	1,500
39			0	1,400

RADIUS (FT.)	57.5' BOOM LENGTH		74.5' BOOM LENGTH	
	ANGLE (DEG.)	LOAD (LBS.)	ANGLE (DEG.)	LOAD (LBS.)
7	80	2,500		
10	77	2,500	80	1,800
16	71	2,200	75	1,800
27	60	1,500	67	1,400
35	49	1,200	60	1,200
39	45	1,200	56	1,100
48	30	1,100	52	1,000
50	22	1,000	48	1,000
53	15	1,000		
55	0	1,000		

**USE OUTRIGGERS AT ALL TIMES * AVOID JERKING LOADS 360°
* USE 2 PART LINE FOR LOADS OVER 2,500 LBS.
DEDUCT 500 LBS. WITH PLATFORM ATTACHED**

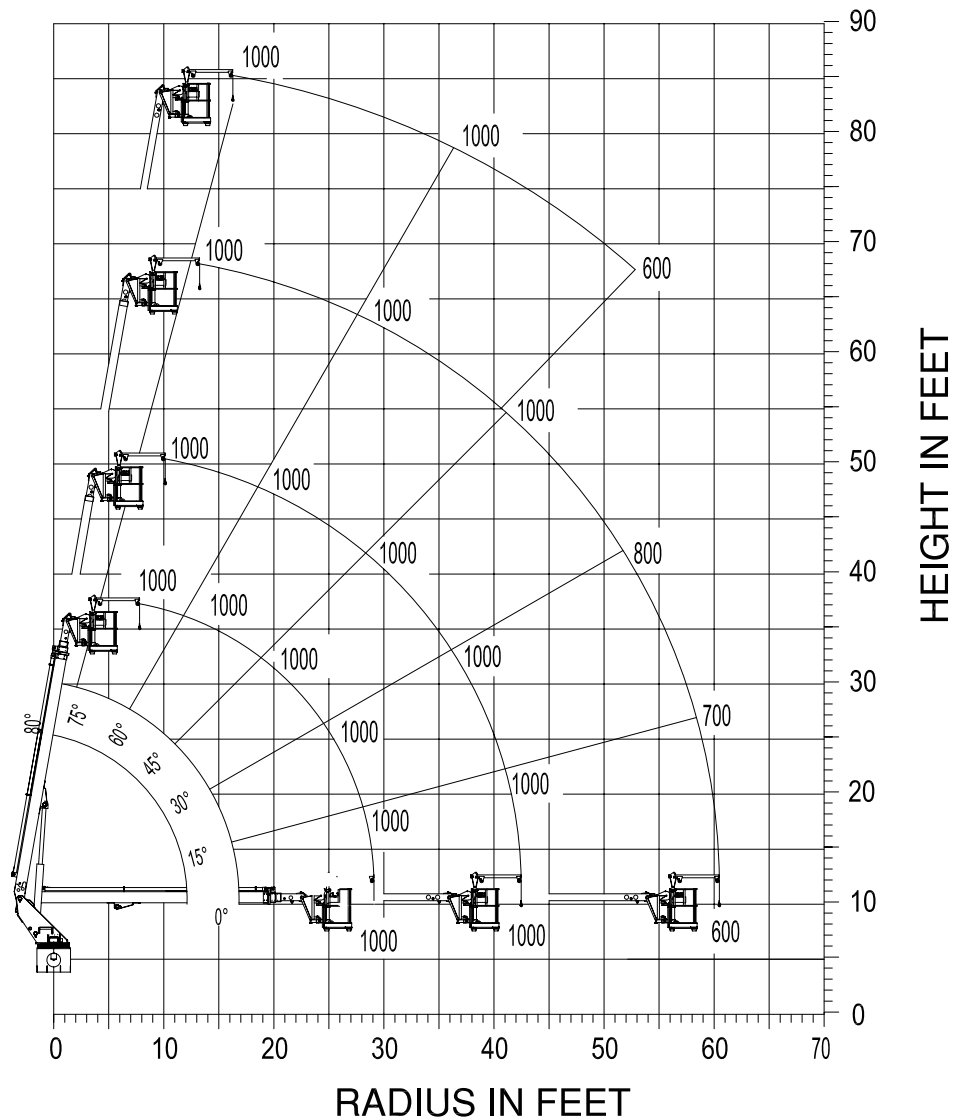
DO NOT PAINT OVER ANY LABELS

1071150 020803

MAXIMUM JIB LIFTING CAPABILITIES

MAXIMUM WORKING LOADS
500 LBS. PLATFORM JIB OPERATION
MODEL G85

TOTAL PLATFORM CAPACITY (JIB LOAD PLUS PERSONNEL)
 USE OUTRIGGERS AT ALL TIMES • AVOID JERKING LOAD
 360° BOOM RADIUS



JIB 500 LBS. MAX. PERSONNEL 500 LBS. MAX.

CHASSIS DATA

	G85R
Wheelbase (WB)	224" / 569 cm
Cab to Axle (CA)	156" / 396 cm
Cab to End of Frame (EOF)	240" / 610 cm
Frame Section Modulus	13.3 in3 / 120,000 psi / 827,371 kPa
Front Axle Gross Weight Rating	13,000 lb / 5,896 kg
Rear Axle Gross Weight Rating	20,000 lb / 9,072 kg
Extended Front Frame	N/A

Chassis data is minimum general requirements-not for engineering.
Actual dimensions and truck data will depend on truck selection and axle configuration.

OPTIONS



MH Outriggers With Shortjacking

Reduce outrigger spread with MH outriggers behind the cab and Elliott's automatic safety rotation lockout to operate your HiReach in confined spaces.



Platform Material Handling Jib

Equip your HiReach platform with a material handling jib to lift up to 500 pounds right from the platform.



High Capacity Boom Winch

Explore the 5,900 lb or 2,000 lb capacity boom winch options that convert the HiReach into a combination aerial work platform and material handler.



Outrigger Pad Holders

Outrigger pad holders safely store your pads for travel and leave plenty of room for tool boxes.



Bed Accessories

Mount a wide variety of tool accessories including welders, power washers, and generators on the bed with lines to the platform.



Platform Accessories

Choose from a list of platform accessories including 110V outlets, welding leads, hydraulic tools, and much more.



High Clearance Outriggers

Our specialized high clearance outriggers provide additional vertical clearance, making it easy to operate along side guard rails or on uneven terrain.



Custom Toolbox Packages

Let us work with you to customize your storage options by choosing from an array of steel or aluminum underbody and abovebody toolboxes.